



INSTALLATION AND OPERATING INSTRUCTIONS

VRS SWITCH

VRS SWITCH



This manual is suitable for the following products:

- VRS Switch 1 (01820000)
- VRS Switch 2 (01820001)

Documentnumber: 85500121 H1

VRS Wall Transmitter –
1 Channel or 2 Channel.

Read the manual before starting the installation.
Failure to follow the instructions may result in defects that are not covered by the warranty. Errors and technical changes excepted.



Manual EN



Manual NL

CONTENT

■ Safety instructions	2
■ Technical Data	3
■ Functional description	3
■ Mounting / Installation	4
■ Replacing the battery	6
■ Trouble Shooting	6

SAFETY INSTRUCTIONS

GENERAL SAFETY INFORMATION

These safety instructions are an integral part of the product and must be read and fully understood before installation, commissioning and operation.

- The wireless wall transmitter is intended exclusively for controlling compatible VRS wireless receivers.
- The device may only be used for its intended purpose as described in this documentation.
- The wireless wall transmitter must be checked for visible damage before installation. Damaged devices must never be put into operation.
- Any modification or alteration of the device is prohibited and will void all warranty and liability claims.
- The wireless wall transmitter is intended for indoor use in dry rooms only.
- The device must be checked regularly to ensure the safe operation of the connected shading system.

CRITICAL SAFETY WARNINGS



HAZARDS DUE TO WIRELESS TRANSMISSION | WARNING – Automatic movement of the connected system.



NOTE

The complete safety instructions can be found at: www.vestamatic.com/safety



SCAN ME



SUPPORT/CONTACT

Vestamatic International GmbH
 Am Tannenbaum 2 | 41066 Mönchengladbach
 E-Mail: info@vestamatic.com

TECHNICAL DATA

KURZBESCHREIBUNG

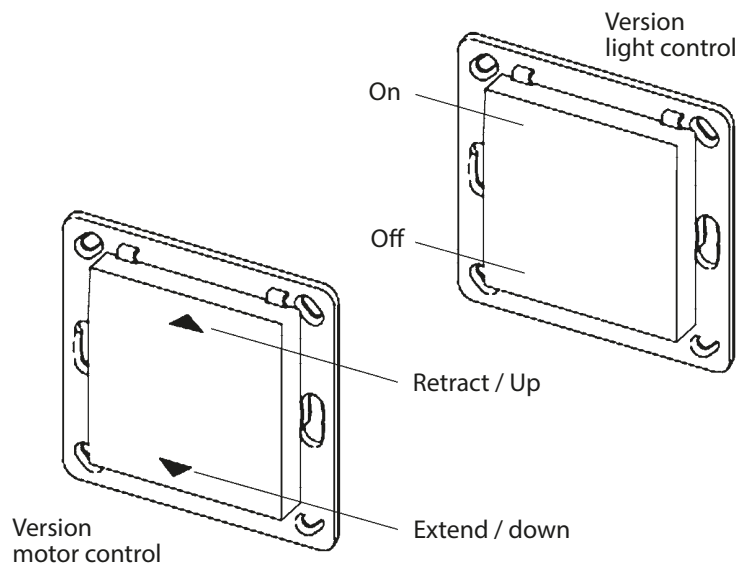
- Universal 1- or 2-channel wall-mounted transmitter for control of VRS receivers

PARAMETER	VALUE
Transmitter frequency:	868 MHz
Operating temperature	0°C bis +40 °C
IP class	IP 30
Dimensions (L × W × H)	
VRS Wall Transmitter	55 × 55 × 10 mm
Mounting plate	71 × 71 × 1,5 mm
Battery	CR2032
Color	Signal white similar RAL 9003
Conformity	CE

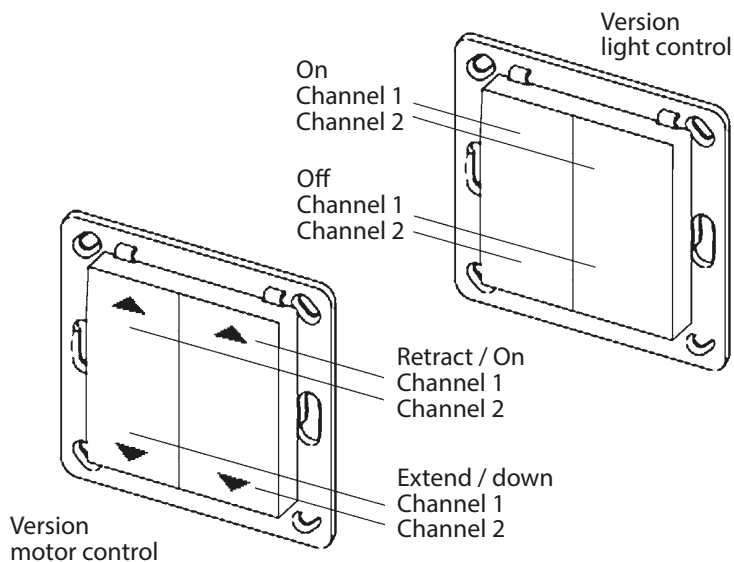
FUNCTIONAL DESCRIPTION

LIEFERUMFANG

- Transmitter incl. mounting plate, mounting accessories, manual, battery CR 2032



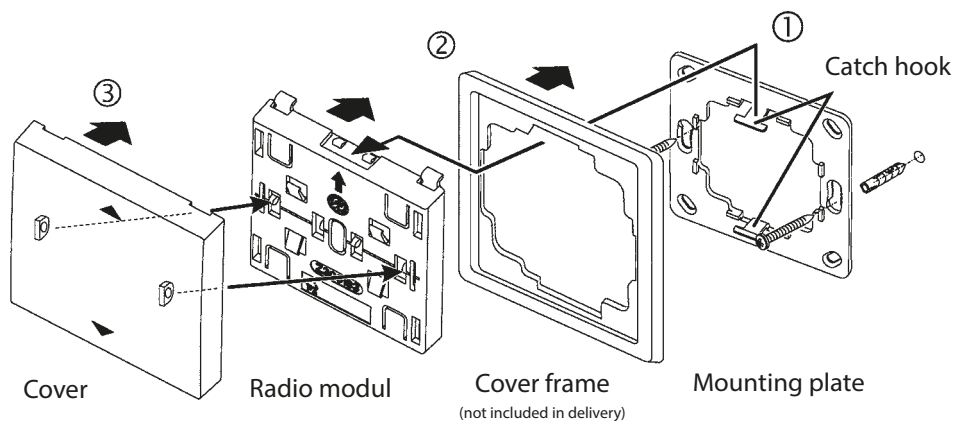
FUNCTIONAL DESCRIPTION



FUNCTIONAL DESCRIPTION

- The VRS wall-mounted transmitter is a wireless wall switch for surface-mounted installation in dry indoor environments for controlling VRS radio receivers. It fits most cover frames with a 55 × 55 mm cut-out.
- Pressing a button transmits the VRS code and switches the connected VRS radio receivers according to the selected operating mode.

MOUNTING / INSTALLATION



MOUNTING / INSTALLATION

1. Screw or glue the mounting plate in place using the supplied screws and wall plugs or the adhesive pads.
2. Place the cover frame onto the mounting plate and snap the radio module into place at the top and bottom. Make sure the arrow on the radio module points upwards.
3. Attach the cover to the radio module.
4. Teach the transmitter code into the radio receiver. Please refer to the operating instructions of the receiver.



INSTALLATION NOTE

When installing the wireless wall transmitter, ensure that the arrow on the rear side points upwards (towards the ceiling).

NOTES ON THE RADIO CONNECTION

The radio transmission is not suitable for safety-related applications, such as emergency stop, emergency call or warning systems.

Radio transmission operates in the 868 MHz frequency band approved for use in Europe. Structural conditions and other radio systems may affect the transmission range and signal quality.

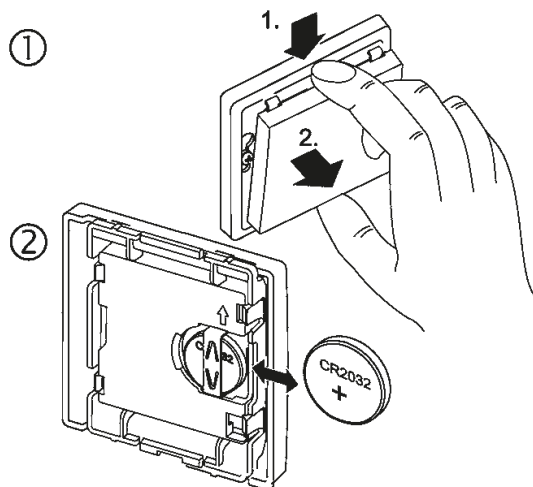
These effects can be reduced by observing the following recommendations:

- Do not mount radio receivers directly on or next to metal surfaces.
- Maintain a minimum distance of 50 cm from electrical devices such as microwave ovens, televisions or similar sources of interference.
- Maintain a minimum distance of 50 cm between multiple radio receivers and also between transmitter and receiver.
- If a radio command cannot be clearly identified, it will be suppressed for safety reasons and must be transmitted again if necessary.



REPLACING THE BATTERY

- 1. Carefully remove the cover and the radio module.
- 2. Replace the battery. Use CR2032 batteries only. When inserting the new battery, ensure the correct polarity. The positive terminal must face upwards.
- 3. Reattach the cover and the radio module to the locking tabs.



i NOTE

The transmitter coding is retained even when no power is supplied. After replacing the battery, it is not necessary to pair the transmitter with the radio control again.

TROUBLE SHOOTING

If the radio control does not respond to the transmitter:

- 1 Replace the batteries if necessary.
- 2 Check that the installation location allows unobstructed radio communication between the wall transmitter and the radio receiver.
- 3 Pair the transmitter code with the radio control again.
- 4 In some cases, interference may be caused by other radio products operating on the same frequency band in the immediate vicinity.