

VL-Progset- ME / SMI-230



Vestaline motors
E-Line, VRS-Line, SMI-Line

VL-Progset-ME/SMI-230

Art.-no.: 54185775

Installation tool – setting the limit positions of Vestaline motor E-Line, VRS-Line and SMI-Line

Installation and Operating Instructions

Short description

- Delivered ready to plug in (Euro safety plug 230VAC)
- Simple setting the limit positions of Vestaline motor E-Line, VRS-Line, SMI-Line
- Intermediate positions storage
- Simple changing motor turning direction
- Connection rubber cable 2.0m black H07RN-F with Euro safety plug 230VAC
- Scope of delivery: 1 × SMI programming cable 2.5 m black;
1 × Switch programming cable 2.5 m black; black carrying case

Intended use

Installation tool – VL-Progset-ME/SMI-230 is only designed to programming the Vestaline tubular motor series: E-Line, VRS-Line, SMI-Line.

This tool cannot be use in potentially explosive area. The installation tool is not suitable for continuous operation and has only been used for set the limit position.

The tool should only be used for the purpose specified by the manufacturer (refer to the operating instructions). Any changes or modifications thereof are not permissible and will result in loss of all warranty claims.

Safety precautions





WARNING!

Important safety information. Follow these instructions to ensure the safety of persons.

- Contact a professional electrician to install the motor, because the control system requires a power supply of 230VAC, 50 Hz.
- Check the tool for signs of mechanical damage after unpacking. If you notice any shipping damage, do not start up programming the motor with this tool and notify your supplier immediately.
- The tool should only be used for the purpose specified by the manufacturer (refer to the operating instructions). Any changes or modifications thereof are not permissible and will result in loss of all warranty claims.
- Technical date can be found on the type label of the tool.
- If the connected motor cannot be operated without presenting a hazard, it must be switched off and prevented from being switched on unintentionally.
- When performing work on the windows, motor or connected shades, protect them against unauthorised or unintentional operation.
- Moving parts of the motor must be installed at a height of over 2.5m above the floor level or any surface from which access to the motor is gained.

Technical data

Power supply:	230VAC, 50 Hz
Maximum load:	230VAC/2.0 A (cos $\varphi \cong 0.8$ ind)
Fuse:	250VAC/4 AT
Protection degree:	IP 20
Operating temperature:	-10 °C (14 °F) to +40 °C (104 °F)
Dimensions (L × W × H):	160 × 81 × 39 mm
Conformity:	 

Declaration of conformity

This product complies with the essential requirements. The declaration of conformity concerning this product is available on our website: www.vestamatic.com

Disposal of waste

The disposal of electrical equipment and batteries in household waste is strictly forbidden.



The symbol (dustbin crossed out, in line with WEEE Appendix IV) indicates separate collection of electrical and electronic products in EU countries. Do not dispose of the device or battery in your household waste. Ask your town or local council about the return and collection systems available in your area to dispose of this product.

Installation and connection details



WARNING!

Risk of injury due to improper installation and commissioning.

Improper installation and commissioning may lead to personal injury or property damage.

Therefore:

- When connecting the device, observe the currently valid VDE standards (in particular DIN VDE 0100/0700), your local power company's regulations and the current accident prevention regulations.
- Connect the motor to the installation tool in accordance with the following information, see next page.

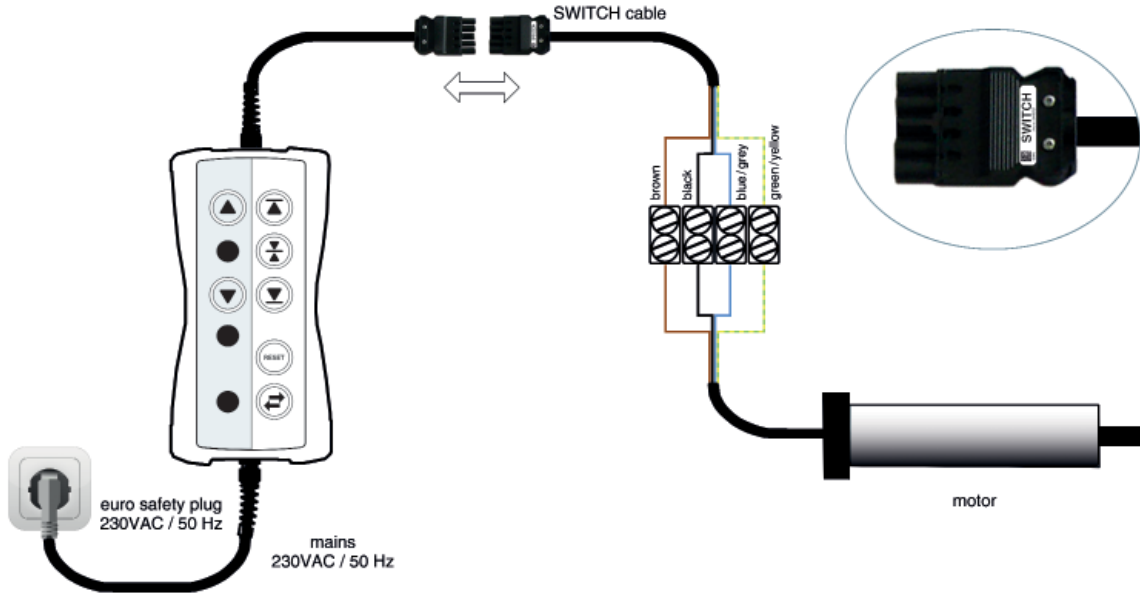
**Installation tool - VL-Progset-ME/SMI-230
in connection with Vestaline motor series: E-Line and VRS-Line**

How to connect to an Installation tool (VL-Progset-ME/SMI-230/ Art.-no.: 54185775).



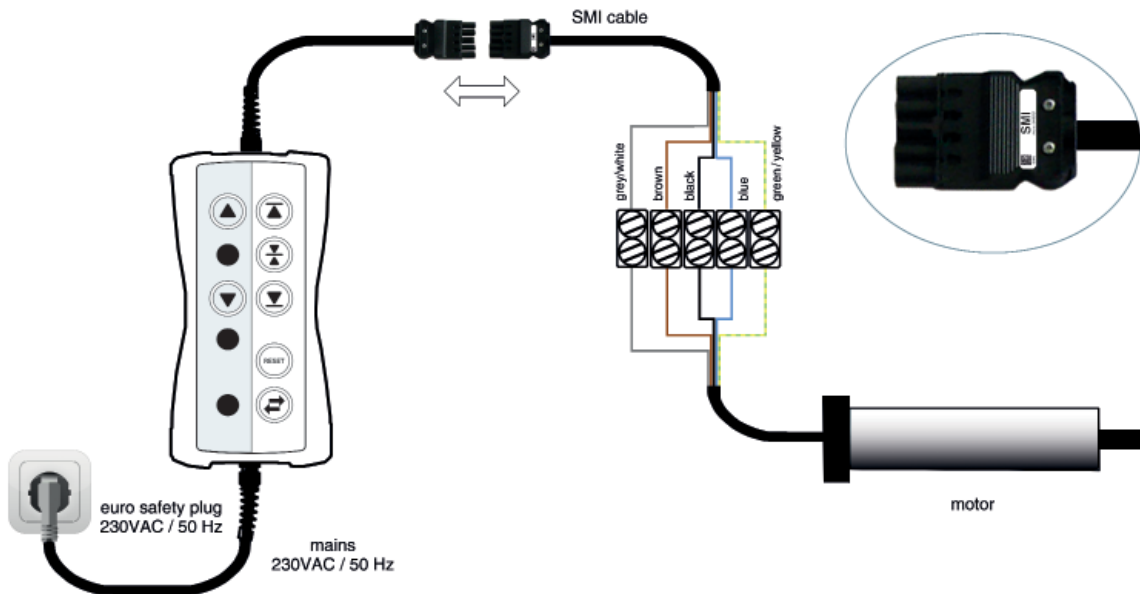
IMPORTANT!

- Switch off the power supply. Connect the wire of the motor to the terminal clamps of the installation tool.
- It is important that the motor-wire-colors correspond with the installation-tool-wire-colors, otherwise the motor turning direction could be set incorrect. Switch on the power supply.
- The installation tool is not suitable for continuous operation and has only been used for set the limit position.

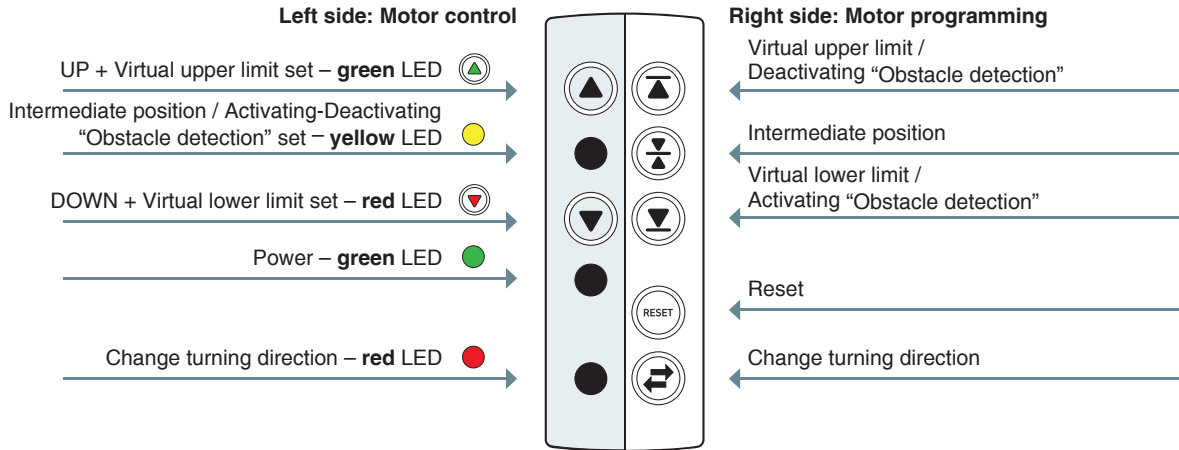


**Installation tool - VL-Progset-ME/SMI-230
in connection with Vestaline motor series: SMI-Line**

How to connect to an Installation tool (VL-Progset-ME/SMI-230/ Art.-no.: 54185775).



Description of installation tool VL-Progset-ME/SMI-230



Motor control		Motor programming		
<p>Button Control motor in UP direction Hold down the button to move the motor in UP direction.</p>				
<p>LED green LED – Virtual upper limit position:</p> <p><i>OFF</i> when no “Virtual upper limit” is set.</p> <p><i>Blinking</i> when “Virtual upper limit” / Deactivating “Obstacle detection” or “RESET” programming is in progress.</p> <p><i>Lit solid</i> when “Virtual upper limit” programming sequence has completed.</p>	 green		Button	Set “Virtual upper limit position” / Deactivating “Obstacle detection”.
<p>LED yellow LED – Intermediate position:</p> <p><i>OFF</i> when no “Intermediate position” is set.</p> <p><i>Blinking</i> when “Intermediate position” or Activating-Deactivating “Obstacle Detection” programming is in progress.</p> <p><i>Lit solid</i> when “Intermediate position” programming sequence has been completed.</p>	 yellow		Button	Set “Intermediate position”.
<p>Button Control motor in DOWN direction Hold down the button to move the motor in DOWN direction.</p>				
<p>LED red LED – Virtual lower limit position:</p> <p><i>OFF</i> when no “Virtual lower limit” is set.</p> <p><i>Blinking</i> when “Virtual lower limit” / Activating “Obstacle detection” / or “RESET” programming is in progress.</p> <p><i>Lit solid</i> when “Virtual lower limit” programming sequence has completed.</p>	 red		Button	Set “Virtual lower limit position” / Activating “Obstacle detection”.
<p>LED green LED – Power:</p> <p><i>OFF</i> when powerless (it is safe to connect a motor to the Installation Tool).</p> <p><i>Lit solid</i> when attached to mains 230VAC.</p>	 green		Button	Reset
<p>LED red LED – Change turning direction:</p> <p><i>OFF</i> when no “Change turning direction” is used.</p> <p><i>Blinking</i> when “Change motor turning direction” programming sequence is in progress.</p> <p><i>Lit solid</i> when “Change motor turning direction” programming sequence has completed.</p>	 red		Button	Change motor turning direction.

The installation tool is suitable for all Vestaline tubular motor series: E-Line, VRS-Line, SMI-Line. For more information, please refer to the manual of the used Vestaline tubular motor.

Art.-Nr.: 85304621 H1 • Vestamatic GmbH • Dohnweg 27 • D-41066 Mönchengladbach • www.vestamatic.com

