

6000 002 GB 1317 A02

VRS Transmitter 5C
VRS Transmitter 10C



VRS Transmitter 5C
VRS Transmitter 5C Nero
VRS Transmitter 10C
VRS Transmitter 10C Nero

Art.-no.: 01580070
Art.-no.: 01580075
Art.-no.: 01580080
Art.-no.: 01580085

5/10 channel transmitter in Vestamatic Radio System (VRS).

Installation and Operating Instructions

1. Safety precautions



ATTENTION!

- Check the transmitter for signs of mechanical damage after unpacking. If you notice any shipping damage, do not start up the transmitter and notify your supplier immediately.
- The transmitter should only be used for the purpose specified by the manufacturer (refer to the operating instructions). Any changes or modifications thereof are not permissible and will result in loss of all warranty claims.
- This device contains a pollutant battery. The end user must recycle all used batteries in accordance with regulation 91/157/EWG. Disposing of the batteries in household waste is strictly forbidden.

2. Short description

- Universal 5 and 10 channel hand-held transmitter for control of VRS radio receivers
- Intuitive channel selection with channel selection buttons

3. Technical data

Article	VRS Transmitter/	5C	5C Nero	10C	10C Nero
	Art.-no.:	01580070	01580075	01580080	01580085
Radio frequency:		868 MHz			
Operating temperature:		0 °C (32 °F) to +40 °C (104 °F)			
Protection degree:		IP 30			
Dimensions (L x W x D):		145 x 36 x 11 mm			
Battery:		3V Type CR2032			

4. Declaration of conformity



These products comply with the essential requirements. These products are conform to the basic requirements of the European Radio Equipment Directive 2014/53/EU. The Declaration of Conformity concerning these products are available on our website: www.vestamatic.com

5. Functional description

The hand-held transmitter is a radio transmitter for controlling VRS radio receiver. By pushing the button, the VRS code is transmitted and the connected VRS radio receiver is switched according to their selected mode.

6. Installation

(Wall bracket for VRS Transmitter 5 and 10 / Art.-no.: 01580140)
The wall bracket can be found in the accessory program (not included in the scope delivery).
To mount the wall bracket, use the enclosed screws and dowels. Attach the wall bracket as shown in Figure 1 below. The VRS transmitter is placed into the wall bracket as pictured in Figure 2.

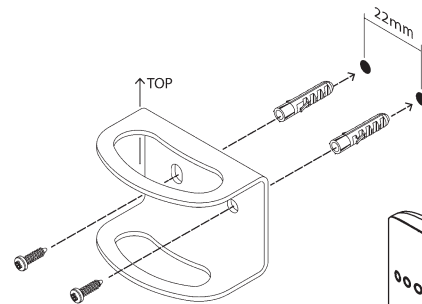


Fig. 1

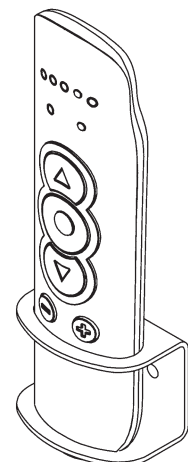


Fig. 2

7. Description of radio remote control VRS

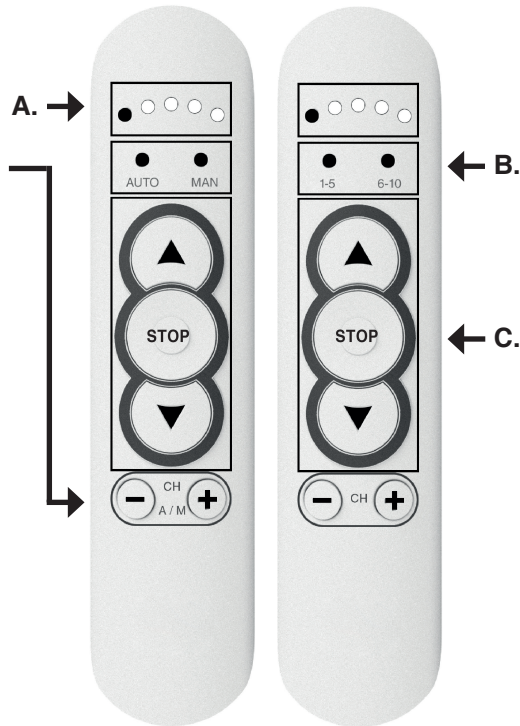
Function + Programming Transmitter

Radio Remote Control VRS

A. LED indication of selected channel of the transmitter.

To change channel:

Briefly press one of the two channel selection buttons ⊕ or ⊖. The LEDs show the current selected channel. Use the button ⊕ or ⊖ to select the channel. The selection is saved immediately.



B. VRS Transmitter 5C (Art.-no. 01580070):
Switching from AUTO to MANUAL mode (receiver-dependent). Press and hold the ⊖ button and then press the ⊕ button for 3 seconds until the operating mode switches. The LEDs AUTO or MAN and the channels will light up briefly.

VRS Transmitter 10C (Art.-no. 01580080):
Left LED indication channel 1–5
Right LED indication channel 6–10

C. Manual control buttons.
Channel 1–10 = Motor / Shade / Lighting
Button ON/UP = ▲
Button STOP
Button OFF/DOWN = ▼

8. Programming

The transmitter is suitable for all VRS receiver (Vestamatic Radio System). For more information, please refer to the manual of the used radio receiver.

10. Instructions for radio receiver



ATTENTION!

Radio transmission is not suitable for safety operations, such as emergency-stop, emergency call or warning signals.

Signals are transmitted across the Europe-wide approved 868 MHz frequency band. The radio transmission range largely depends on the constructional circumstances of the building. If other adjacent radio devices are simultaneously sending signals, mutual interferences cannot be debared. Such interferences can also affect individual units of a group of receivers.

Observing the following instructions will minimize these interferences:

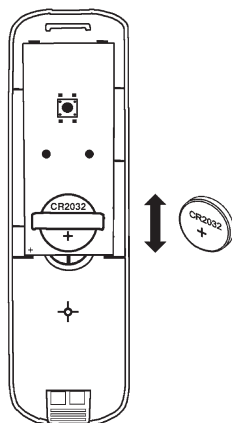
- Avoid to mount radio receivers onto or adjacent to metal surfaces.
- Maintain minimum 50 cm clearance to consumer loads, such as microwave ovens or TV sets.
- Keep a minimum clearance of 50 cm between each mounted radio receiver.
- Keep a minimum clearance of 50 cm between a radio receiver and a radio transmitter.

If a radio-transmitted command cannot be clearly detected, the command execution will be suppressed by means of an integrated automatic safety function. The command must then be issued again.

9. Replacing the Battery

If the hand-held transmitter's range is dramatically reduced and the LED indicator is weakly lit, you will need to replace the hand-held transmitter's battery.

1. To do this, use a suitable Phillips screwdriver (size 0) to remove the screw on the back of the hand-held transmitter.
2. Then, press back the snap tab on the top section and remove the bottom section of the hand-held transmitter.
3. Replace the CR 2032 type battery.
Make sure you insert the new battery correctly, the positive pole has to be visible.
4. Then reassemble the housing by following the instructions in the reverse order.



11. Disposal of waste

The disposal of electrical equipment and batteries in household waste is strictly forbidden.



The symbol (dustbin crossed out, in line with WEEE Appendix IV) indicates separate collection of electrical and electronic products in EU countries. Do not dispose of the device or battery in your household waste. Ask your town or local council about the return and collection systems available in your area to dispose of this product.