

VRS SMT Light Receiver VRS FMT Light Receiver



Art. no.:
01580010 / 01580011

VRS SMT Light Receiver
VRS FMT Light Receiver

Art. no.: 01580010
Art. no.: 01580011

VRS radio receiver to connect a light source in SMT or FMT Housing.

Installation and Operating Instructions

Short description

- Radio receiver for control a light source
- Operation via all hand and wall transmitters of the Vestamatic Radio System (VRS)

Safety precautions

- Contact a professional electrician to install the control system, because the control system requires a power supply of 230VAC, 50 Hz.
- Check the control system for signs of mechanical damage after unpacking. If you notice any shipping damage, do not start up the control system and notify your supplier immediately.
- The control system should only be used for the purpose specified by the manufacturer (refer to the operating instructions). Any changes or modifications thereof are not permissible and will result in loss of all warranty claims.
- If the control units or the connected sunshade cannot be operated without presenting a hazard, it must be switched off and prevented from being switched on unintentionally.

Table of loads

Type of load	Max. load
Resistive load: Light bulbs 230VAC, Halogen lamps etc.	10 A/2300 VA
Inductive load: Halogen lamps with wound transformers	2.6A/ 600 VA
Fluorescent lamps (series)	10 A/2300 VA
Fluorescent lamps (parallel)	2.6A/ 600 VA
Capacity EB: Electronic ballasts, electronic transformers etc.	4 A/ 920 VA

Technical data

Power supply:	230VAC, 50 Hz
Power consumption:	35 mA
Radio frequency:	868 MHz
Protection degree:	IP 40 (FMT); IP 54 (SMT)
IP class:	II
Operating temperature:	-20 °C (-4 °F) to +60 °C (140 °F)
Dimensions (L x W x H):	46 x 46 x 25 mm
Conformity:	

Functional description

The radio receiver is used for switching mains powered devices in the operating modes ON / OFF and Timer.

The receiver can be operated by hand and wall transmitter of Vestamatic radio system (VRS).

Assembly and installation



WARNING!

Risk of injury due to improper installation and commissioning. Improper installation and commissioning may lead to personal injury or property damage.

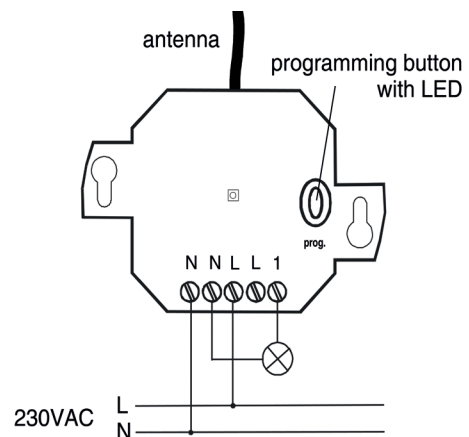
Therefore:

- When connecting the device, observe the currently valid VDE standards (in particular DIN VDE 0100/0700), your local power company's regulations and the current accident prevention regulations.
- Connect the control in accordance with the wiring diagram.

Notes for professional electricians



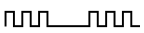
- Switch off the control power supply.
- Connect the cables in accordance with the wiring diagram.
- Mount the receiver on a suitable mounting location (see chapter "Instructions for radio receiver").
- Switch on the power supply.
- After connecting the receiver is in operation mode. The LED is off.
- Transfer the codes of the transmitters to the receiver (see section "programming a radio transmitter").

Wiring diagram



Programming + Operating modes

For Programming (see "Programming a radio transmitter" there are 3 programming modes for the 3 operating modes of the receiver, they are displayed by different LED flashing patterns.

Programming mode	Operating mode	LED signal (flashes)
1	ON / OFF (2 button operation)	
2	ON / OFF (1 button operation > 1.6 seconds: OFF)	
3	Timer mode 7 minutes, retrigger (1 button operation)	

You can change from the operating mode to the programming mode 1 and from one programming mode to the next by briefly (< 1.6 seconds) pressing the programming button:

Operating mode → programming mode 1 → programming mode 2 → programming mode 3 → operating mode. etc.

Deleting specific transmission codes

In the delete mode you can delete specific transmission codes memorized by the receiver.

1. Keep the programming button pressed for more than 1.6 seconds. The delete mode is activated. The LED flashes rapidly.
2. Press the selected transmitter channel button. As soon as the code has been deleted, the LED lights up for 4 seconds and then flashes again rapidly.
3. Repeat step 2 with another transmitter or briefly (< 1.6 seconds) press the programming button in order to return to the operating mode.

Instructions for radio receiver



ATTENTION!

Radio transmission is not suitable for safety operations, such as emergency-stop, emergency call or warning signals.

Signals are transmitted across the Europe-wide approved 868 MHz frequency band. The radio transmission range largely depends on the constructional circumstances of the building. If other adjacent radio devices are simultaneously sending signals, mutual interferences cannot be debared. Such interferences can also affect individual units of a group of receivers.

Observing the following instructions will minimize these interferences:

- Avoid to mount radio receivers onto or adjacent to metal surfaces.
- Maintain minimum 50 cm clearance to consumer loads, such as microwave ovens or TV sets.
- Keep a minimum clearance of 50 cm between each mounted radio receiver.
- Keep a minimum clearance of 50 cm between a radio receiver and a radio transmitter.

If a radio-transmitted command cannot be clearly detected, the command execution will be suppressed by means of an integrated automatic safety function. The command must then be issued again.

Programming a radio transmitter

In this mode you can transfer the codes of your transmitters to the receiver.



NOTE!

Generally you only have to transfer the code of one button per transmitter channel. The code of the other transmitter buttons will be assigned automatically.

1. Briefly (<1.6 sec.) press the programming button. Programming mode 1 is activated and the LED flashes (see table).
2. Press and hold a transmitter channel button. When radio receiver added to the transmitter, the LED lights up for 4 seconds and then flashes again. Release the transmitter button.
3. Repeat step 2 with the other transmitters. Optionally, you can store up to 32 transmitters in each mode of the radio receiver. It is also possible to change to the next programming mode.
4. Briefly (<1.6 sec.) press the programming button to return to the operating mode.



NOTE:

In case of a longer power failure programming of the receiver remains.

Reset (Deleting all transmitter)

In the reset mode you can delete all codes memorized by the receiver.

1. Keep the programming button pressed for more than 1.6 seconds. The delete mode is activated. The LED flashes rapidly.
2. Press the programming button again and keep it pressed for more than 1.6 seconds. If the memory has been deleted completely, the LED lights up for 4 seconds and then flashes again rapidly.
3. Briefly (< 1.6 seconds) press the programming button to return to the operating mode.

Disposal of waste

The disposal of electrical equipment and batteries in household waste is strictly forbidden.



The symbol (dustbin crossed out, in line with WEEE Appendix IV) indicates separate collection of electrical and electronic products in EU countries. Do not dispose of the device or battery in your household waste. Ask your town or local council about the return and collection systems available in your area to dispose of this product.