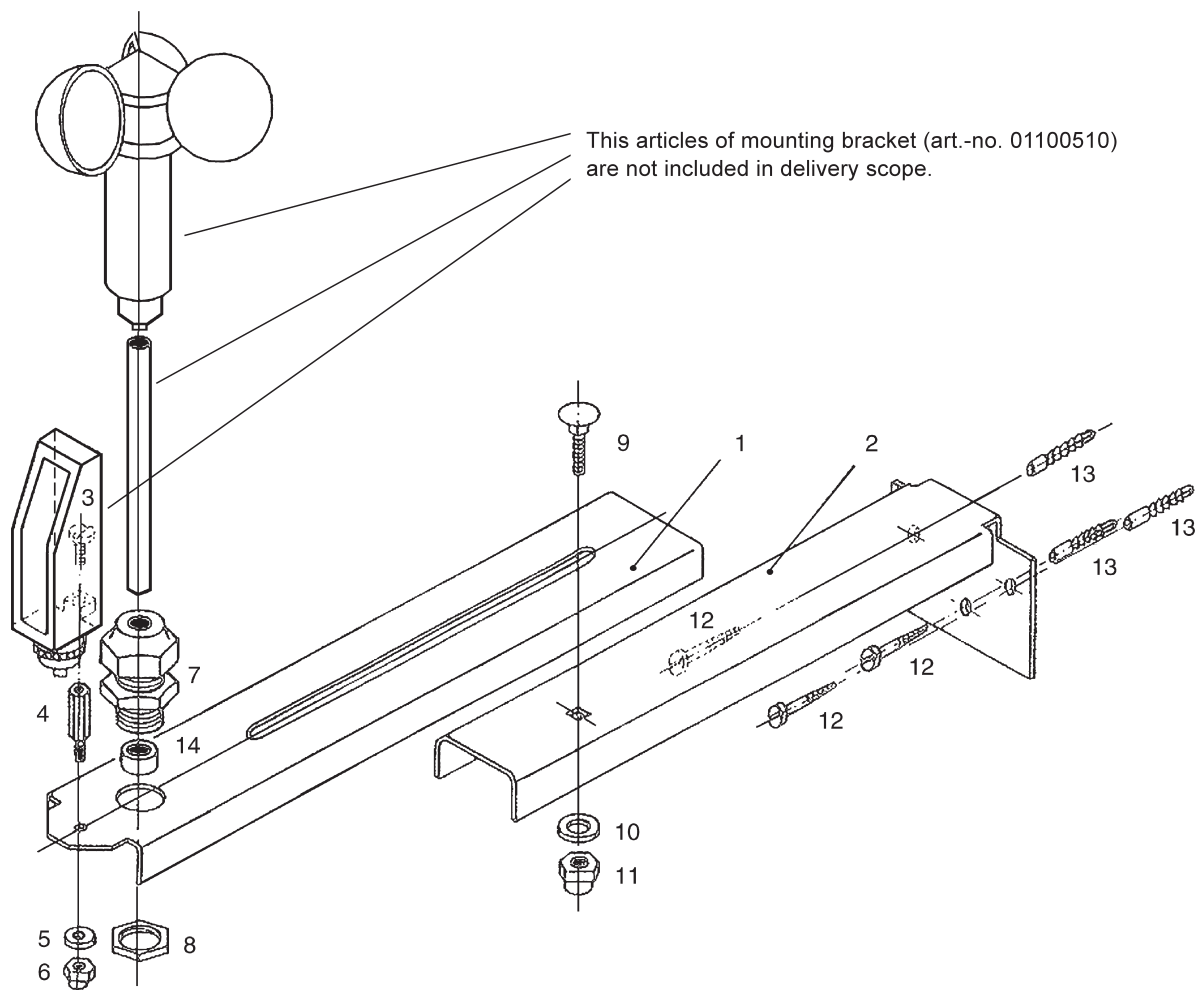


WISO Bracket Alu

Art.-Nr.: 01100510

Mounting Bracket Aluminium for 1 WS XS Alu and 1 LS 30



Part list

Item	Description
1	U-shaped rail, upper
2	U-shaped rail, lower
3	Screw, M4×8
4	Spacer bolt, 15 mm
5	Plain washer, M4
6	Stopper nut
7	Screwed cable gland, BF 13
8	Brass nut PG 13,5, Messing
9	Mushroom head bolt, M5×16
10	Plain washer, M6
11	Stopper nut, M6
12	Wood screw, 4×25
13	Plug, 6 mm
14	Reducing bush

Accessories for assembling the rain sensor

Rain sensor holder