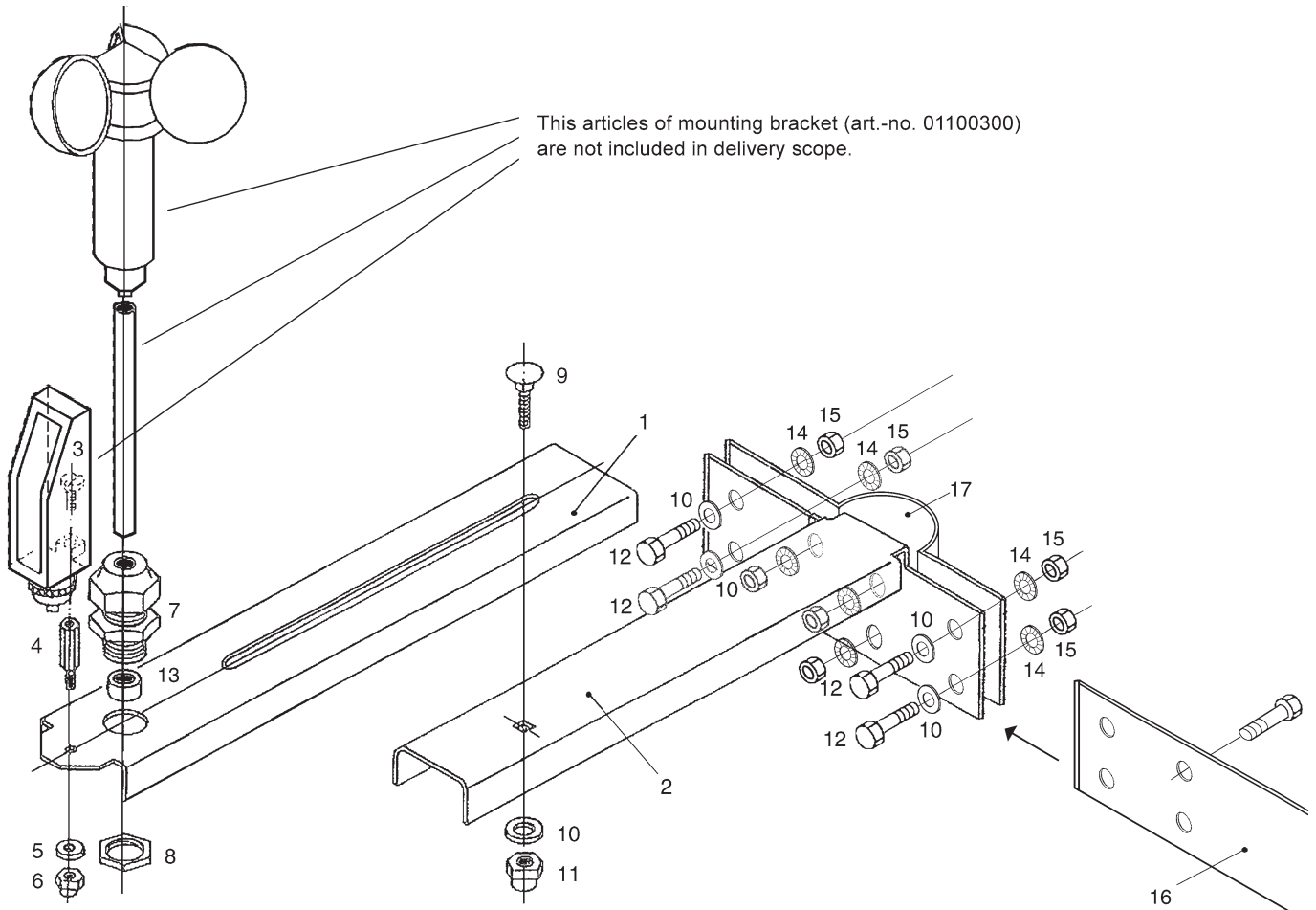


WISO Mast Mounting Bracket Alu



Art.-no.: 01100300

Mounting bracket aluminium for WS XS Alu and LS 30
for mast mounting (50 mm).



Part list

Item	Description
1	U-shaped rail, upper
2	U-shaped rail, lower
3	Screw, M4×8
4	Spacer bolt, 15 mm
5	Plain washer, M4
6	Stopper nut
7	Screwed cable gland, BF 13
8	Brass nut PG 13,5, Messing
9	Mushroom head bolt, M5×16
10	Plain washer, M6
11	Stopper nut, M6
12	Screw, M6×25
13	Reducing bush
14	Toothed washer M6
15	Brass nut M6 DIN 934
16	Mounting plate
17	Mast fixing clamp

optional **Accessories for assembling the rain sensor**
no illustrations Rain sensor holder