

MC GC 24VDC SMT

MC GC 24VDC SMT

Art.-no.: 01077500



Art.-no.:
01077500

Motor Control for Lovoline motors.

Installation and Operating Instructions

Short description

- Module for connecting function buttons to create individual and group controls
- In combination with Lovoline motors (SMI, ME or ME VRS)

General

The motor control can be connected to a Lovoline motor with additional individual and group control functions. This applies to motors controlled using commercially available up/down buttons.

Technical data

Supply voltage range:	22–28 VDC
SMT output control current:	max. 6A
SMT motor control current:	max. 3A (= parallel connection of max. 6 Lovoline motors)
Individual buttons:	standard Up/Down button, interlocked (floating contact output)
Group buttons:	standard Up/Down button, interlocked (floating contact output)
IP class:	IP 54
Dimensions (L x W x H):	85 x 85 x 40 mm

Conformity:



Safety precautions



- Contact a professional electrician for installation.
- Check the control system for signs of mechanical damage after unpacking. If you notice any shipping damage, do not start up the control system and notify your supplier immediately.
- Please note that the control can only be used with Lovoline motors with an operation voltage of 22–28VDC.
- Turn off the power supply and prevent it from being switched on unintentionally before performing work on any windows, control or sunshades driven by the control system.

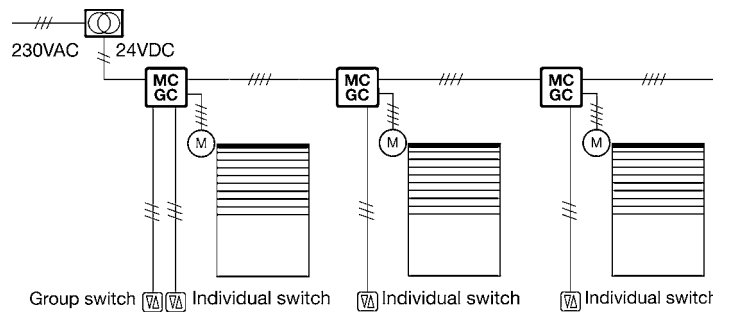
Installation



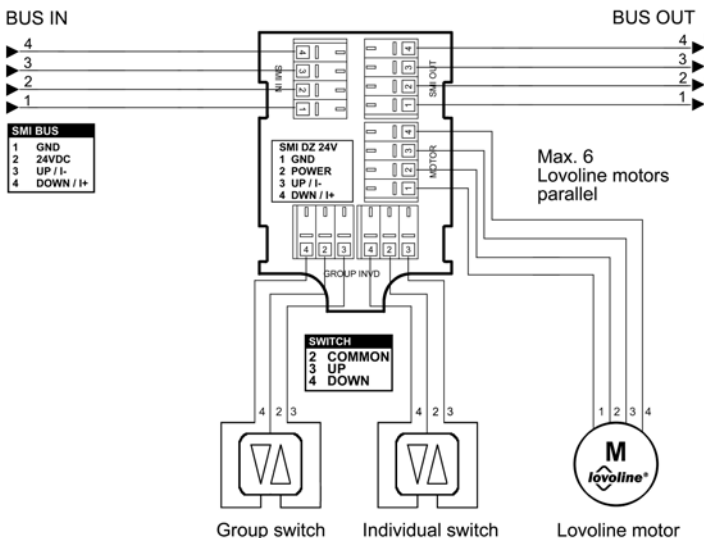
ATTENTION!

- The control is installed in a commercially available, splash-proof junction box. The junction box is attached with two screws. After the installation, the cables are to be connected according to the wiring diagram.
- Lovoline SMI motors must not be combined with Lovoline ME or ME-VRS-motors in a circuit.

Application example



- When controlling the group momentary switch, all Lovoline motors will react to the group momentary switch commands.
- Each Lovoline motor can be controlled individually by controlling the individual momentary switch.



The disposal of electrical equipment and batteries in household waste is strictly forbidden.



The symbol (dustbin crossed out, in line with WEEE Appendix IV) indicates separate collection of electrical and electronic products in EU countries. Do not dispose the device or battery in your household waste. Ask your town or local council about the return and collection systems available in your area to dispose of this product.