



Art.-no.:
01054520

Isolating relay for parallel connection of 2 tube motors on one control system or one interlocked pushbutton.

Installation and Operating Instructions

Short description

- Isolating relay for parallel connection of 2 tube motors on one control system or one interlocked pushbutton
- Option of connecting a individual interlocked pushbutton per drive
- May be used with commercially available 35 mm mounting rails for installation in a cable duct or control cabinet

Safety precautions



- Contact a professional electrician for installation.
- Check the isolating relay for signs of mechanical damage after unpacking. If you notice any shipping damage, do not start up the device and notify your supplier immediately.
- The isolating relay should only be used for the purpose specified by the manufacturer (refer to the operating instructions). Any changes or modifications thereof are not permissible and will result in loss of all warranty claims.
- If the control unit or the connected sunshade cannot be operated without presenting a hazard, it must be switched off and prevented from being switched on unintentionally.
- When performing work on the windows, controls or connected shades, protect them against unauthorised or unintentional operation.

General

Individual operation of the drives may only be carried out by means of mechanically or electrically interlocked pushbuttons. Mechanically or electrically interlocked pushbuttons as well as all control devices with a 230VAC output and a preset or adjustable motor run time (provided this motor run time exceeds the actual retracting/extending time of the sunshade) can be used as the central control unit. As long as a central command is applied, individual operation of the drives is not possible.

Technical data

Power supply:	230VAC, 50 Hz
Impulse voltage withstand level:	2.5 kV
Rated power:	< 1 W
Control voltage:	230VAC
Output:	230VAC, 50 Hz
Maximum load (for each output):	250VAC, 4A, $\cos \varphi \geq 0.8$ ind.
Operating temperature:	0 °C (32 °F) to +40 °C (104 °F)
IP class:	IP 20
Degree of contamination:	2
Dimensions (L x W x H):	90 x 45 x 60 mm
Mark of conformity:	CE

Installation



WARNING!
Risk of injury due to improper installation and commissioning.

Improper installation and commissioning may lead to personal injury or property damage.

Therefore:

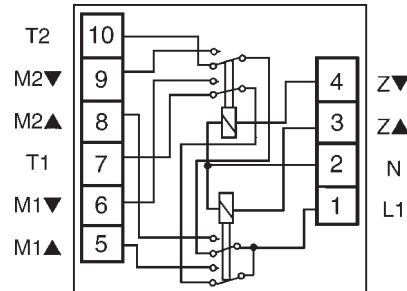
- When connecting the device, observe the currently valid VDE standards (in particular DIN VDE 0100/0700), your local power company's regulations and the current accident prevention regulations.
- Connect the control in accordance with the wiring diagram.

The disposal of electrical equipment and batteries in household waste is strictly forbidden.

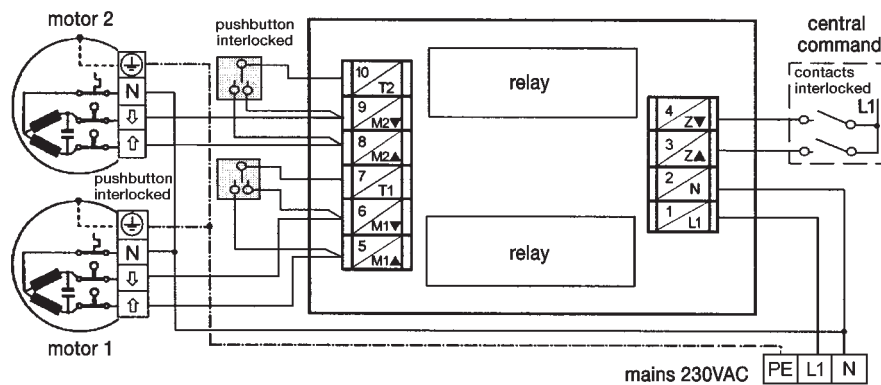


The symbol (dustbin crossed out, in line with WEEE Appendix IV) indicates separate collection of electrical and electronic products in EU countries. Do not dispose of the device or battery in your household waste. Ask your town or local council about the return and collection systems available in your area to dispose of this product.

Circuit diagram



Wiring diagram



Parallel connection of 2 isolating relays MC TR 2S/MR

